



Product Data Sheet

3XX Series SP

Replace "XX" with 01 through 24 for number of poles

**Terminal Block– Closed Back
With Sems Pressure Saddle Screw
30 Amps, 600 Volts (AC/DC)**



(6 Pole shown)

Copper Wire Only

Wire Range with Wire Binding Screw: #10 - #22 AWG
(stranded wire only)

Application torque: 20 in. lbs

9/16" Centers

Electrical Ratings:

- 30A with Listed ring lug or unprepared wire, (Based on NEC Table 310-16, 75°C columns)
- 600 Volts AC/DC (UL 1059 Class C, Use Group - General Industrial)
- Short Circuit Current Rating: 10,000A (Default)
- Factory and Field Wiring.

NOTE: Use outside these ratings must be judged in end-use application

Mechanical Ratings:

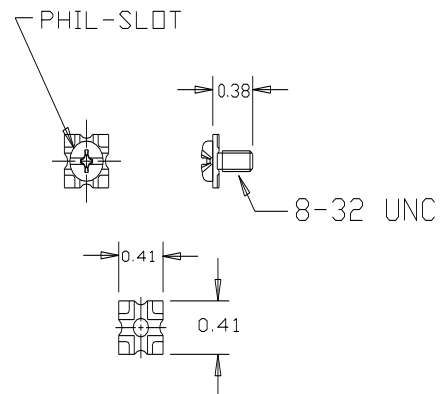
- Insulator base temperature rating: -40° C/F to 150°C (302°F) UL RTI
- Flammability rating of insulator base: UL 94V-0

Materials:

- Connector (Contact): Brass, tin plated.
- Insulator base: Phenolic
- Drive screw (Rivet): Stainless steel
- Screw, #8-32 saddle plate, phil-slot: Steel, nickel plated

Agency Approvals:

- UL Recognized, UL 1059 Terminal Block Standard, File No. XCFR2.E62806
- CSA Certified, CSA C22.2 No. 158, File No. LR19766
- CE compliant, IEC 60947-7-1
- RoHS Compliant



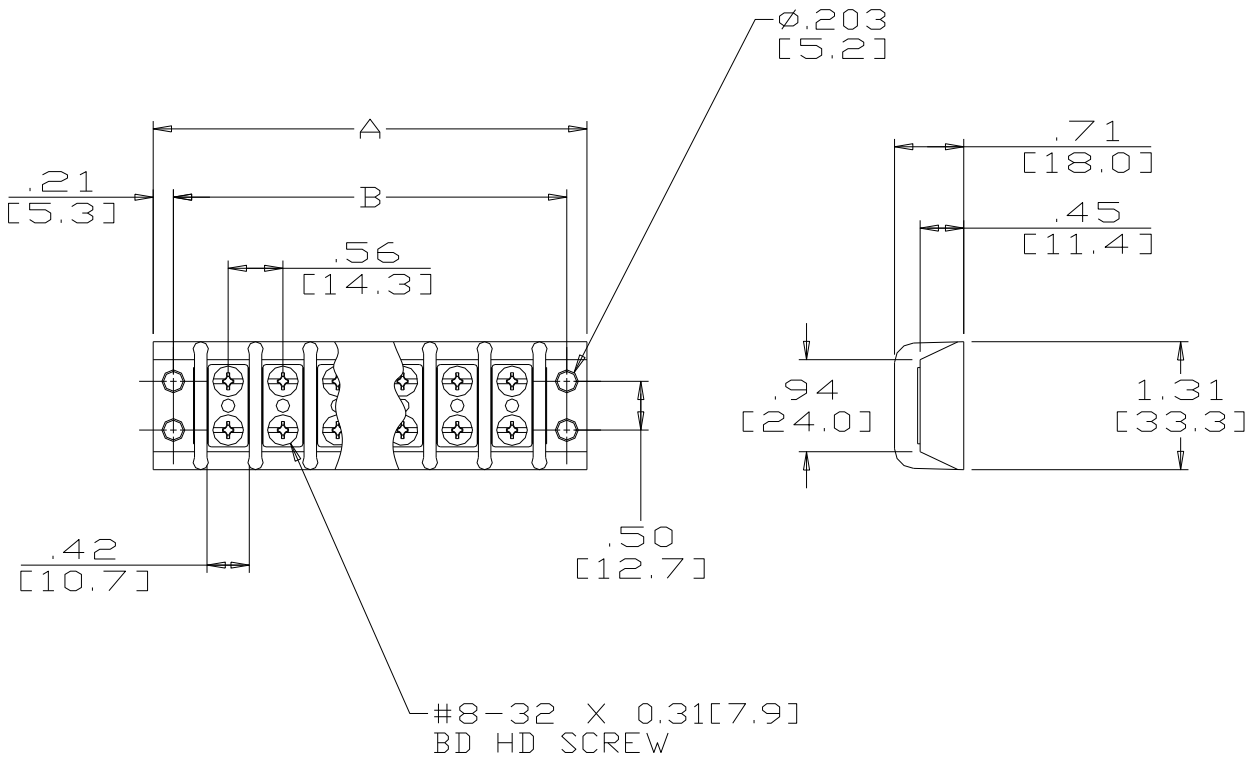
Wire Range:

Wire Size	Torque	Copper Wire Stranding Classes - Number of Conductors		
		Solid	Class B	Class C
10	20 in. lbs		1	1
12	20 in. lbs		1	1
14	20 in. lbs		1	1
16	20 in. lbs		1	1
18	20 in. lbs		1	1
20	20 in. lbs		1	1
22	20 in. lbs		1	1

Mounting:

Suggested product mounting hardware: #8 fastener, torque to 15-20 in. lbs.

Accessories:



MSP CATALOG #	# OF POLES	DIMENSIONS			MSP CATALOG #	# OF POLES	DIMENSIONS	
		A	B				A	B
301	1	1.54	1.13	✕	313	13	8.29	7.88
302	2	2.10	1.69	✕	314	14	8.85	8.44
303	3	2.66	2.25	✕	315	15	9.41	9.00
304	4	3.22	2.81	✕	316	16	9.97	9.56
305	5	3.78	3.38	✕	317	17	10.54	10.13
306	6	4.35	3.94	✕	318	18	11.10	10.69
307	7	4.91	4.50	✕	319	19	11.66	11.25
308	8	5.47	5.06	✕	320	20	12.22	11.81
309	9	6.04	5.63	✕	321	21	12.79	12.38
310	10	6.60	6.19	✕	322	22	13.35	12.94
311	11	7.16	6.75	✕	323	23	13.91	13.50
312	12	7.72	7.31	✕	324	24	14.47	14.06

MM = Dim X 25.4